

Academic Planning Night



January 31, 2022

Our Mission

The Mission of the Delaware Military Academy is to prepare young men and women for their next level of education by providing them with a foundation that leads to good citizenship. Encouraged by military training, learning will take place within an environment that embraces both mental and physical health. This holistic approach to education fosters an understanding of the obligations of citizenship and self discipline. In addition, cadets are exposed to positive moral ideals while being afforded opportunities to engage in appropriate social activities.

DMA Graduation Requirements

DMA Graduation Requirements include the Delaware Department of Education Requirements

- English 4 credits
- Electives 3.5 credits
- Social Studies 4 credits
- Health & Physical Ed. 1.5 credits
- Mathematics 4 credits (one must be in senior year)
- Science 4 credits
- World Language 3 credits
- Naval Science 3 credits

Upon meeting the Delaware Military Academy standards for graduation and completing the minimum State Standards for a high school diploma a cadet will be eligible for graduation. DMA reserves the right to require additional credits in a specific discipline in response to changes in State Regulations and admission policies for colleges & universities.

Honors Courses

- Begin in the 9th grade - see website for specific requirements in 9th
- 10th - 12th grade - Qualified cadets can move into the honors classes after 9th grade in English, Math, Science and History if they meet the one of the following requirements:
 - 90% or higher Final grade to enter in previous year course
 - 80% or higher Final grade in previous year honor course to remain in the honors track
- Honors course earn an additional weight of .5 in cumulative and marking period GPA

Advanced Placement

-College Level courses in Math, Science, Economics, Spanish and Computer Science

-Must meet specific entrance requirements - See course catalog at www.demilacad.org/cadet-guidance/

-Any cadet that is enrolled in an AP course at DMA will be REQUIRED to take the AP exam at the end of the school year (additional fee - fee waivers available for cadets who qualify for free/reduced lunch)

-AP level courses have an additional weight of 1.0 in cumulative and marking period GPA

Dual Enrollment College Courses (DTCC and Wilmington University)

- Same Curriculum used on Campus at DTCC Courses
- Taught by DMA Teachers who serve as Adjunct Faculty for the college
- Earns High School AND College Credit (with a 75% or higher)
- Dual Enrollment courses have an additional weight of 1.0 in cumulative and marking period GPA
- No test at the end of the year but there is a per-credit fee for the course (see the course catalog for a fee comparison)

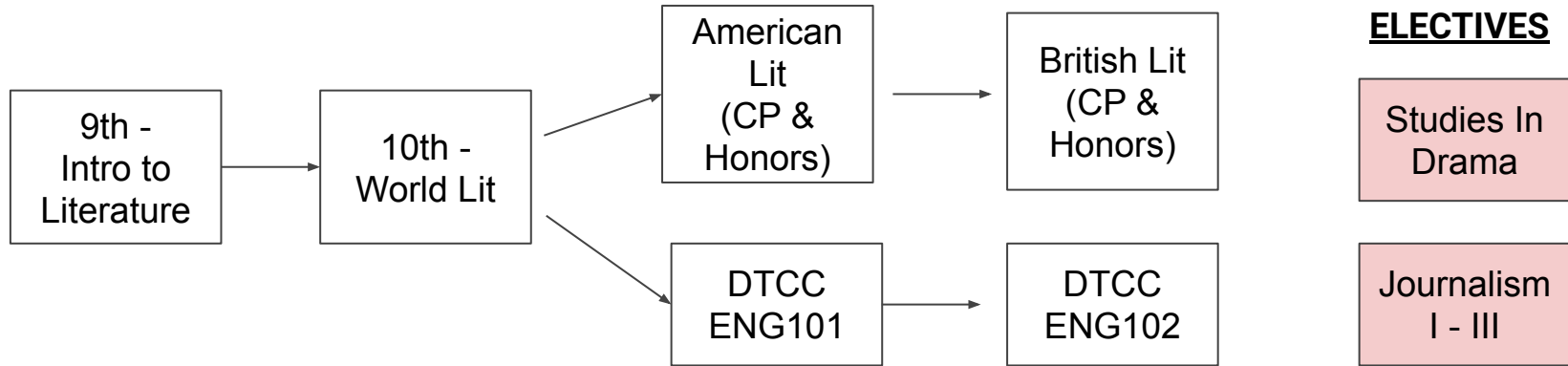
Course Sequence/Progression

The next few slides will outline the course progression (by content area) at DMA. Students should use the class they are currently taking as a starting point to see what options are available for next year and any future years.

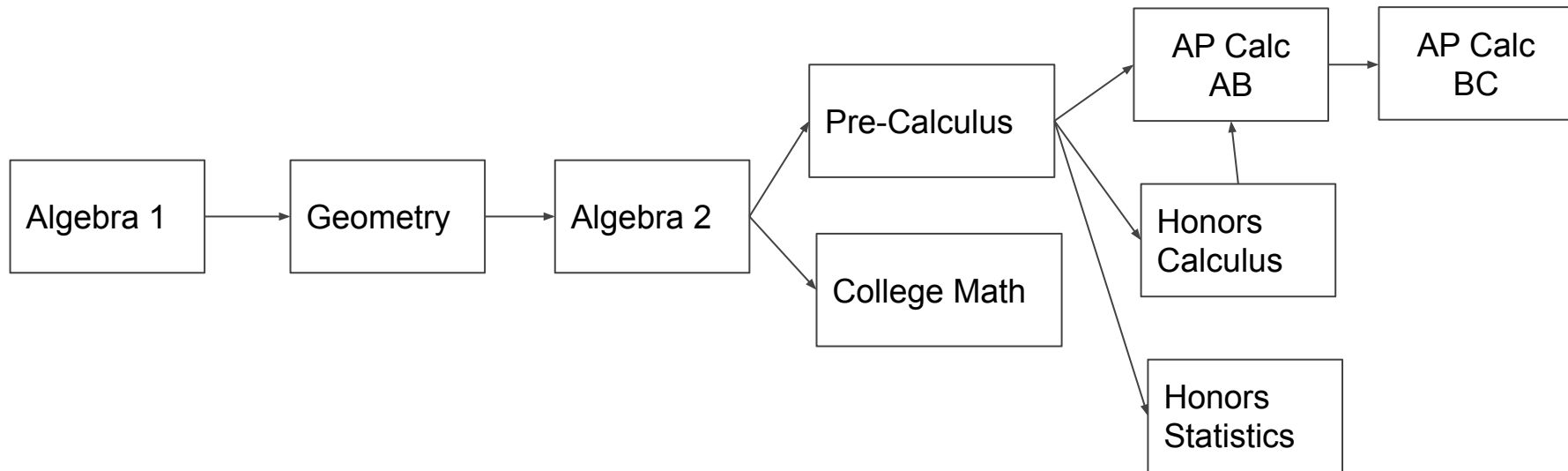
Please refer to the Course Catalog on the Guidance page of the DMA website (demilacad.org/cadet-guidance/) for additional information and descriptions for each course offered at DMA.

Please note that all elective courses are not reflected on the pathway documents.

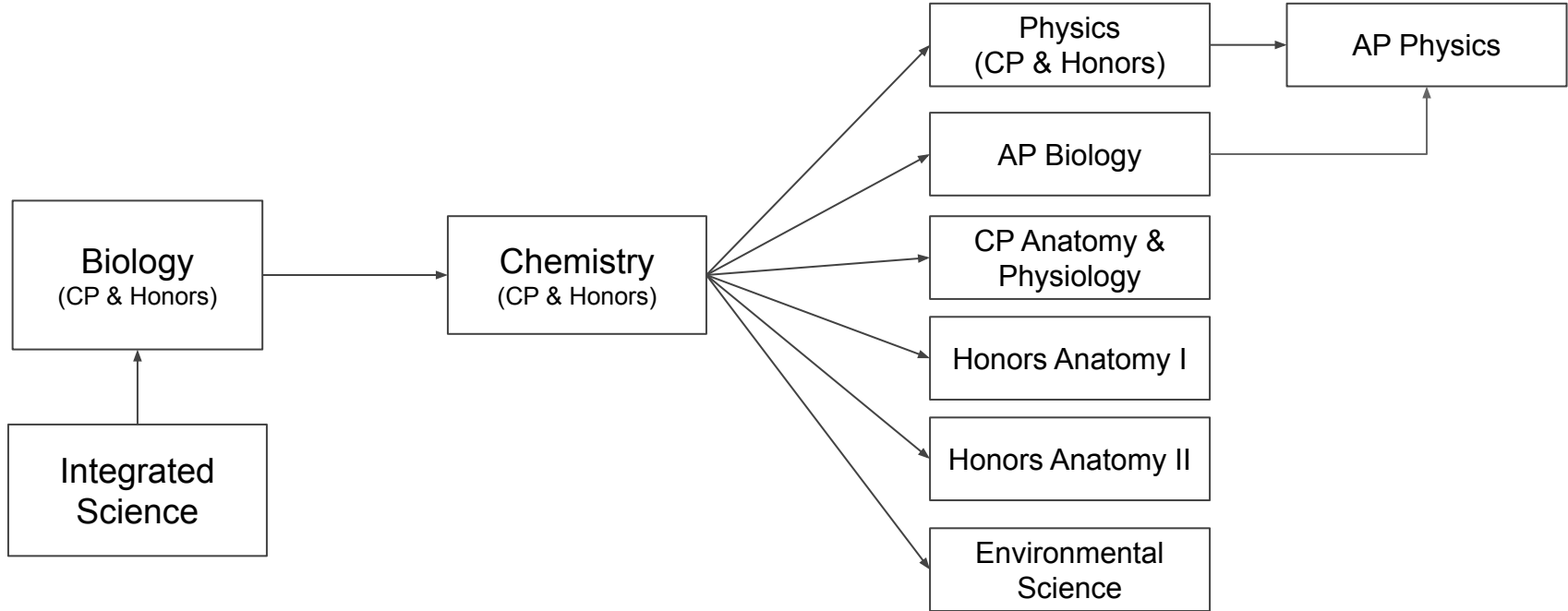
English Courses



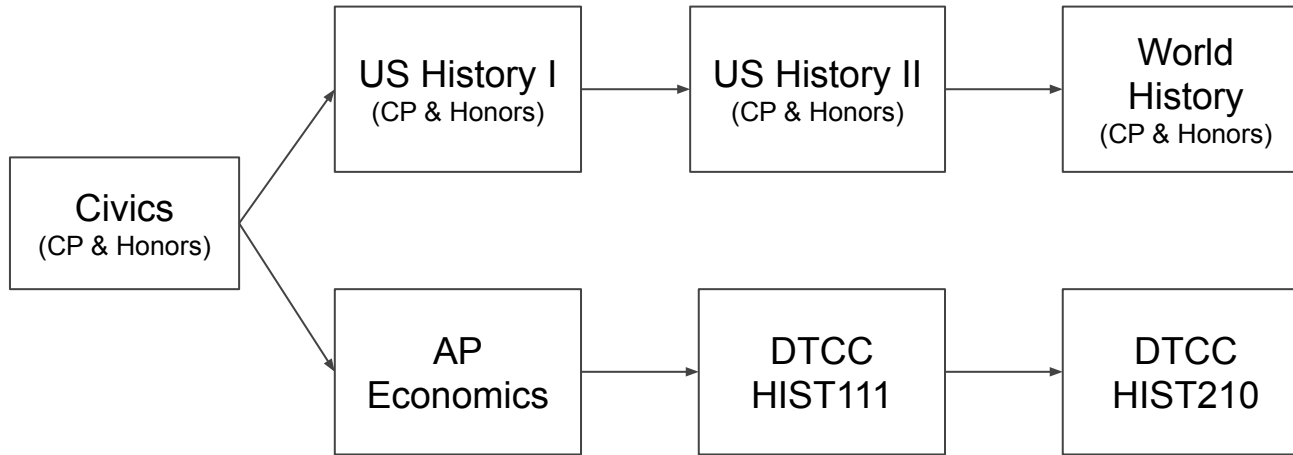
Mathematics Courses



Science Courses



Social Studies/History Courses



ELECTIVES

Real World
Economics

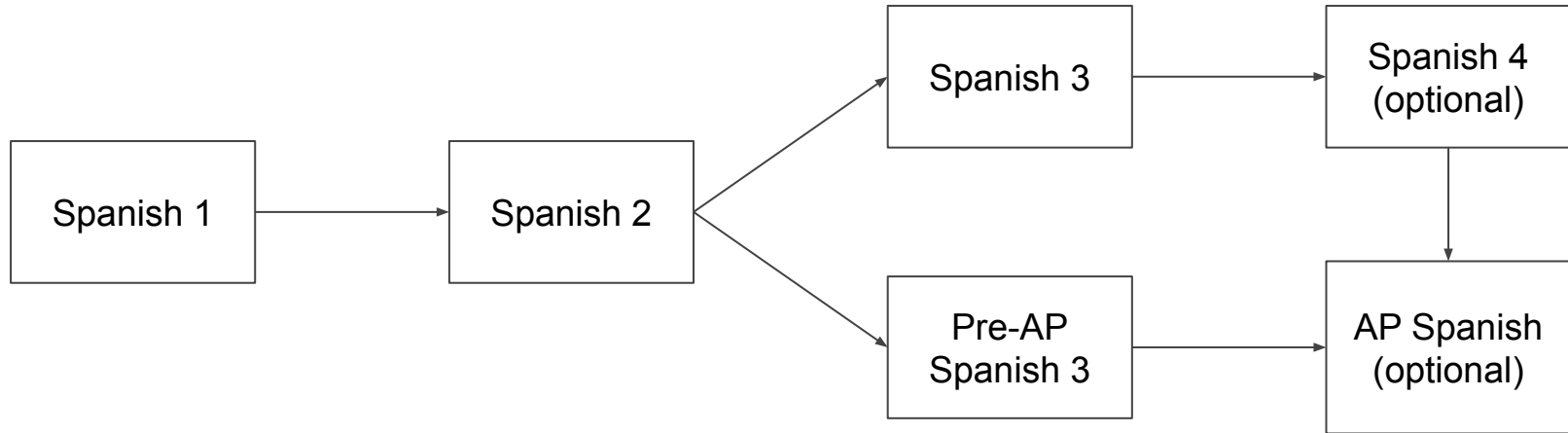
DTCC Intro to
Psychology

Modern US
History

Sports Psych

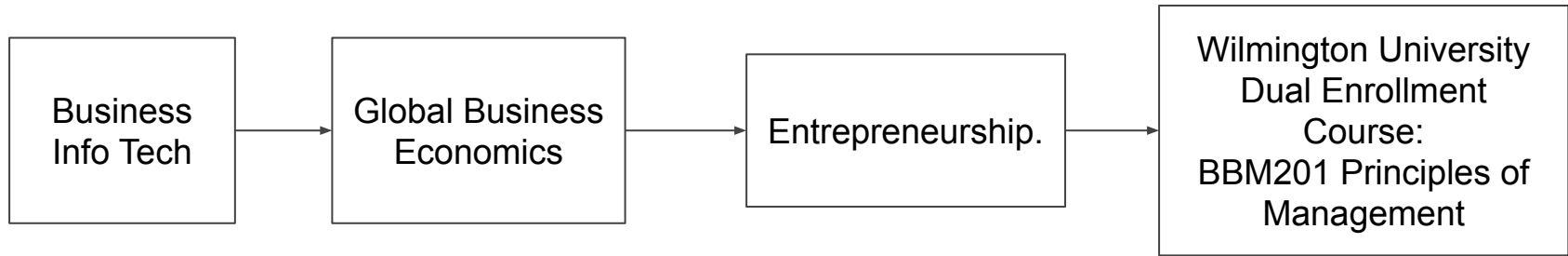
DTCC Intro to
Criminal Justice

World Language Courses



Please note cadets need at least 3 Spanish credits to graduate

Business CTE Pathway



Rising Seniors: Please talk to Mr. Green to find out more information about the exciting Dual Enrollment option offered through Wilmington University!

Scheduling

We will meet with each cadet to select courses for the 2022-2023 school year. Here is the primary contact for scheduling based on current grade:

- ❑ If you are in 9th grade, you will be scheduling with Mr. Grant for next year
- ❑ If you are in 10th grade, you will be scheduling with Mrs. Tocyloski for next year
- ❑ If you are in 11th grade, you will be scheduling and having a college/post HS planning meeting with Mrs. Certesio

These meetings will take place one-on-one between mid-February and May. Most cadets will be pulled out of their Naval Science class to schedule.